

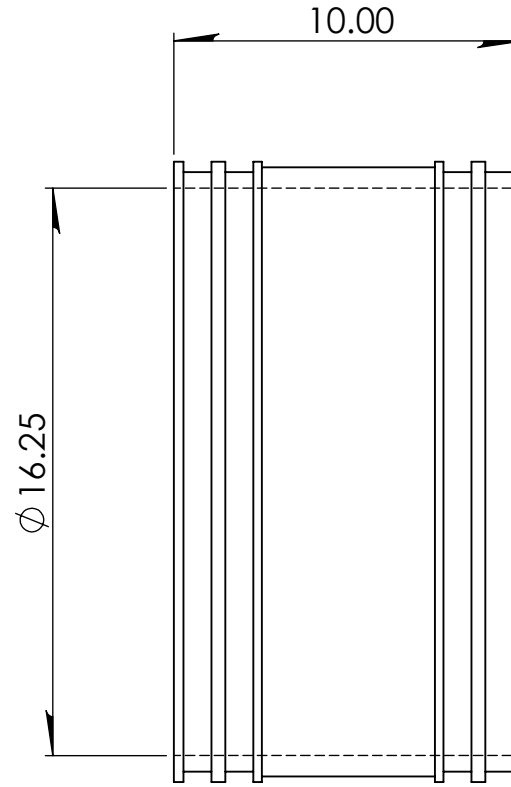
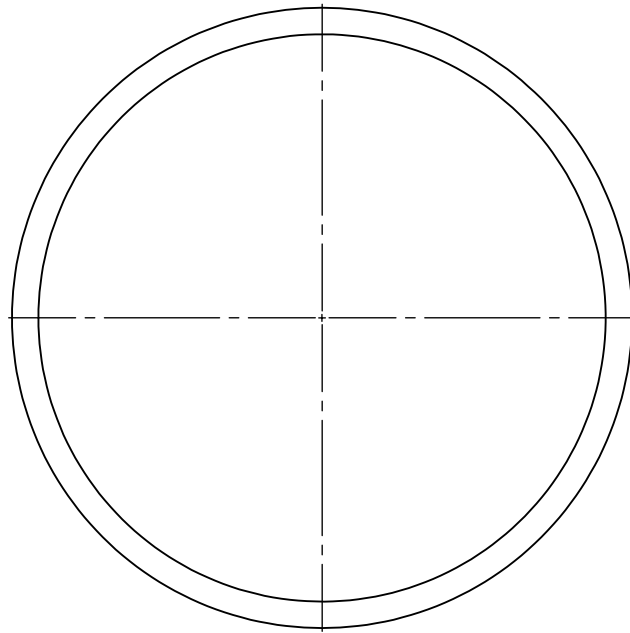


300 S. DAYTON ST.  
 DAVISON, MI 48423  
 PH: 810-503-9000  
 FAX: 810-653-8714

1051-1515

DESCRIPTION:

CONNECTS 15 IN. AC/DI TO 15 IN. CI/PL



NOTE:

PROPRIETARY AND CONFIDENTIAL  
 THE INFORMATION CONTAINED IN THIS  
 DRAWING IS THE SOLE PROPERTY OF  
 FERNCO, INC. ANY REPRODUCTION IN  
 PART OR AS A WHOLE WITHOUT THE  
 WRITTEN PERMISSION OF FERNCO, INC.  
 IS PROHIBITED.

TOLERANCES:  
 FRACTIONAL ± 1/4"  
 .XX = ±.06  
 ANG. = +3°  
 UNLESS OTHERWISE SPECIFIED

MATERIAL	PVC	CLAMPS USED	300 SERIES STAINLESS	UNITS:	SIZE:	AUTHOR:	SCALE:
PART WEIGHT		INSTALLATION TORQUE	60 IN · LBS	INCHES	<b>A</b>	ELI MILLER	NOT TO SCALE
BOX QUANTITY		MIN/MAX TEMP.	-30/140 °F	3RD ANGLE PROJECTION	CHECKER:	DATE:	SHEET
PRESSURE TESTED		ASTM	C1173/D5926	DO NOT SCALE DRAWING		5/8/2019	1 OF 1