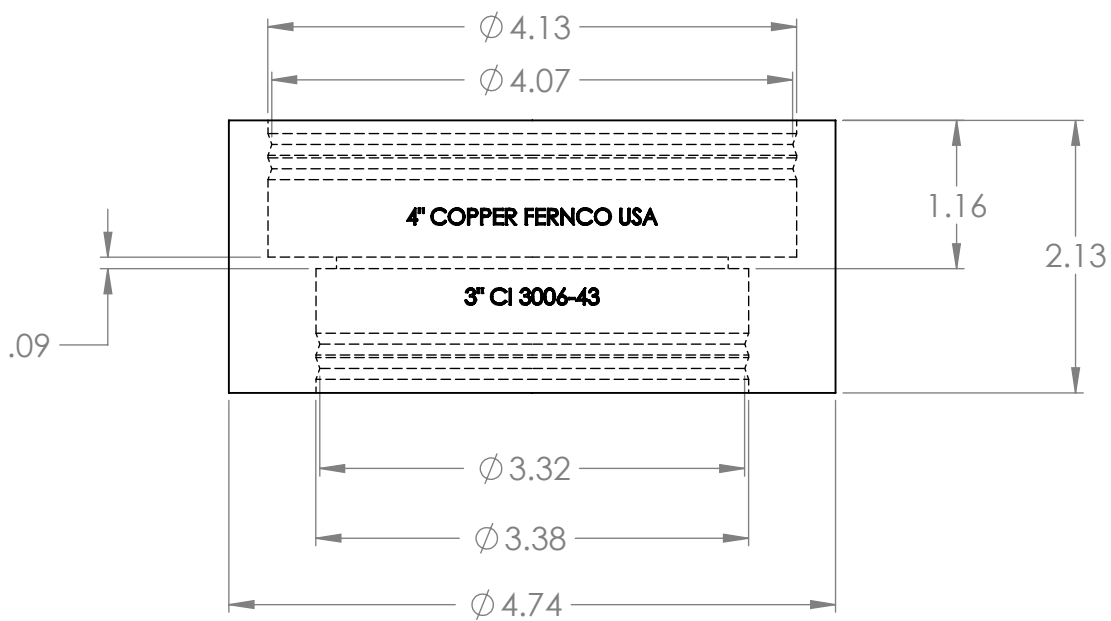


5/16" HEX



**LEGEND:**  
 CI = NO-HUB CAST IRON  
 PL = SCH. 40 PVC  
 ST = STEEL, IRON PIPE SIZE  
 XHCI = EXTRA HEAVY WEIGHT CAST IRON

The Information Contained in this Drawing is the Sole Property of Fernco. Any Reproduction in Part or in Whole without Written Permission is Prohibited.

Clamp/Shield: All 300 SS, Installation Torque 60 in-lb  
 Gasket Material: Rubber Complying to ASTM C564  
 Coupling: Complies to ASTM C 1460  
 Temperature Range: -30 °F to 180 °F  
 Drain, waste and Vent Use Only



FERNCO INC. DAVISON MI.

Tolerance:  
 Angular ± 3°  
 X = ± 0.09  
 .XX = ± 0.06

SHEET 1 OF 1  
 Dimensions are in Inches

Drawn by: SR

DATE: 3/25/2015

Part Number:

**3006-43**

Description:

4" Copper to 3" CI

**Do Not Scale**