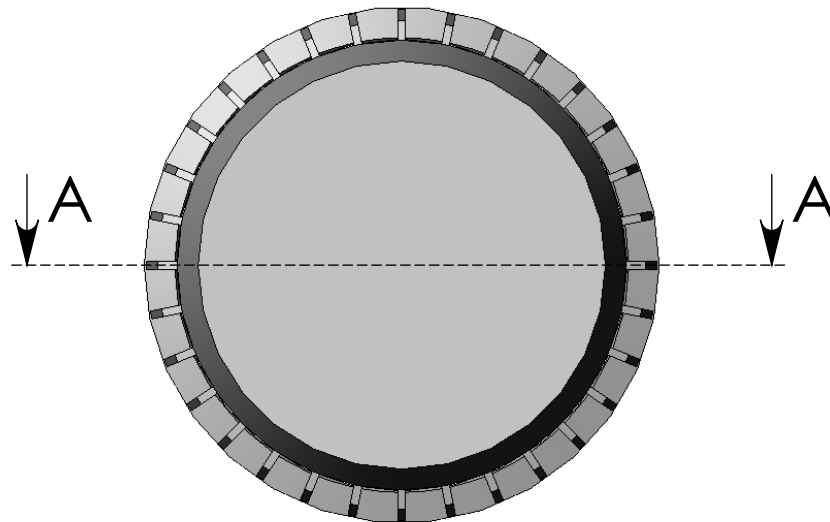
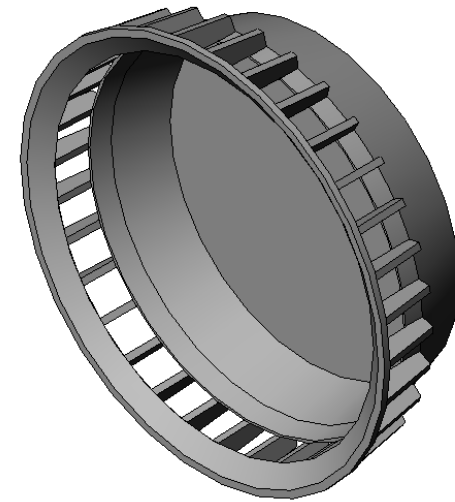
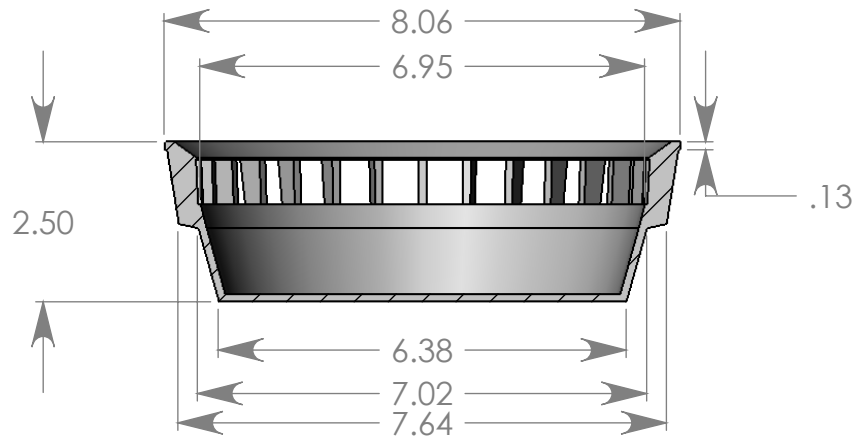


# SECTION A-A SCALE 1 : 3



Material:	Polyethylene
Open Area:	10.8 sq. in.
Flow Rate:	14.1 GPM
ADA:	No
Wt. Class:	No
Heel:	No
Color:	Black



Use with: FSD-090-RCB

FSD-090-RST

Round Debris Trap

01 Oct 09

