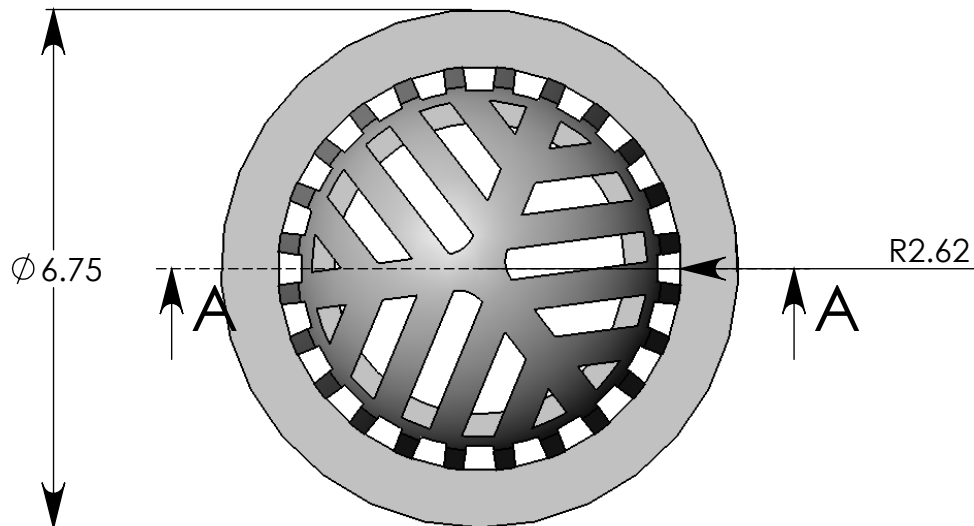
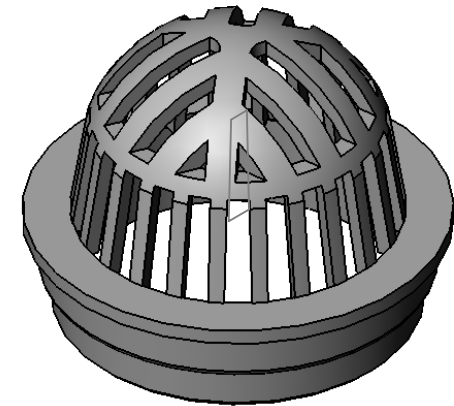
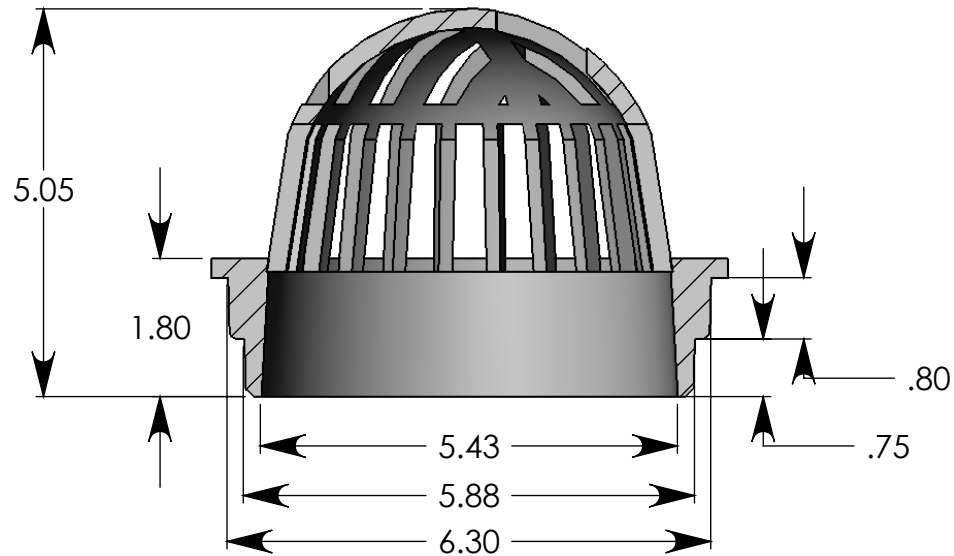


# SECTION A-A



Material: Polyethylene  
 Open Area: 15 sq. in.  
 Flow Rate: 19.6 GPM  
 ADA: No  
 Wt. Class: No  
 Heel: No  
 Color: Black



Bottom Outlet Connects to; 6" S&D Pipe, S&D Hub, Corrugated, and Sch 40

**FSD-064-A**

Atrium Grate  
 Bottom Outlet

01 Oct 09

