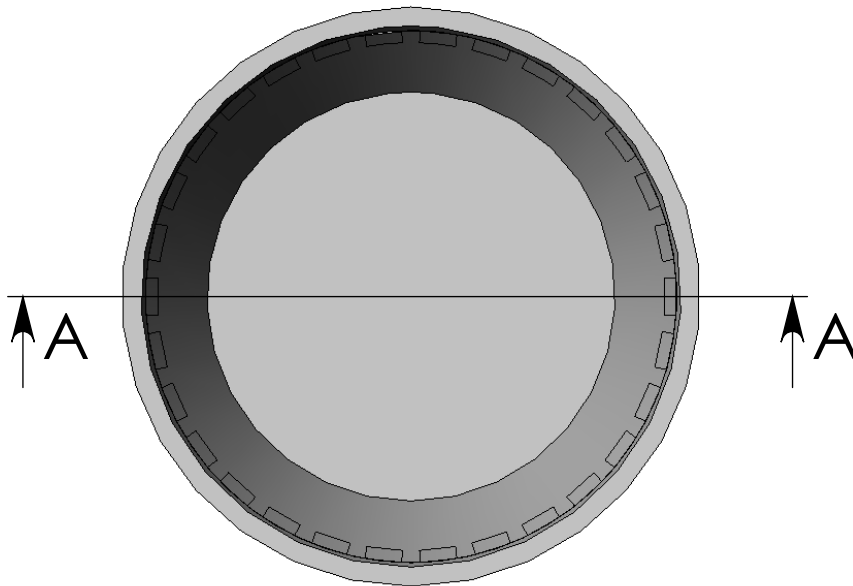
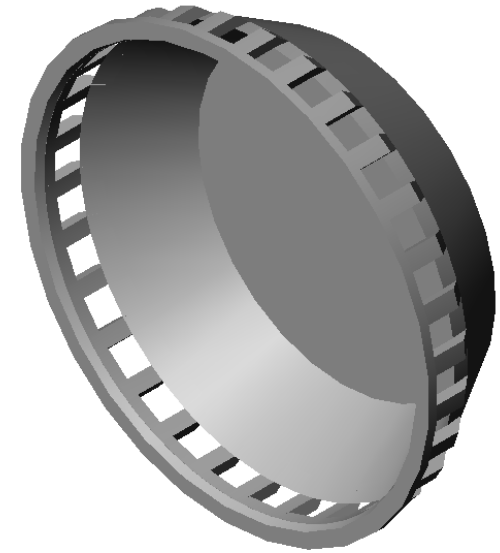
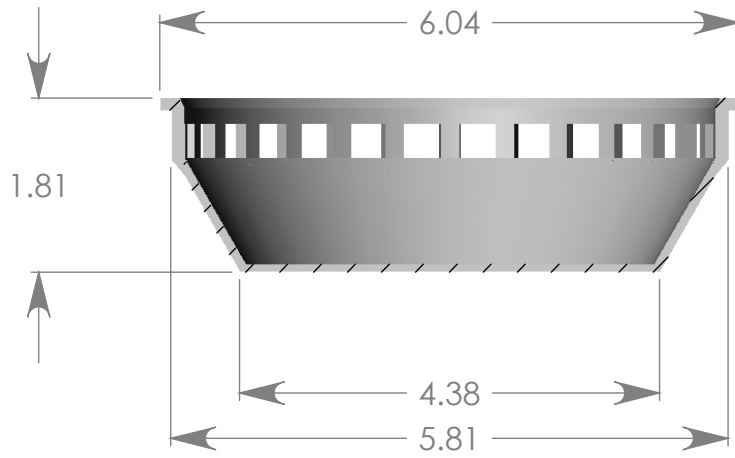


# SECTION A-A



Material:	Polyethylene
Open Area:	3.6 sq. in.
Flow Rate:	4.7 GPM
ADA:	No
Wt. Class:	No
Heel:	No
Color:	Black



Use with: FSD-060-CB, FSD-060-CB-1, FSD-060-CB-2

FSD-060-ST  
Round Debris Trap

01 Oct 09 