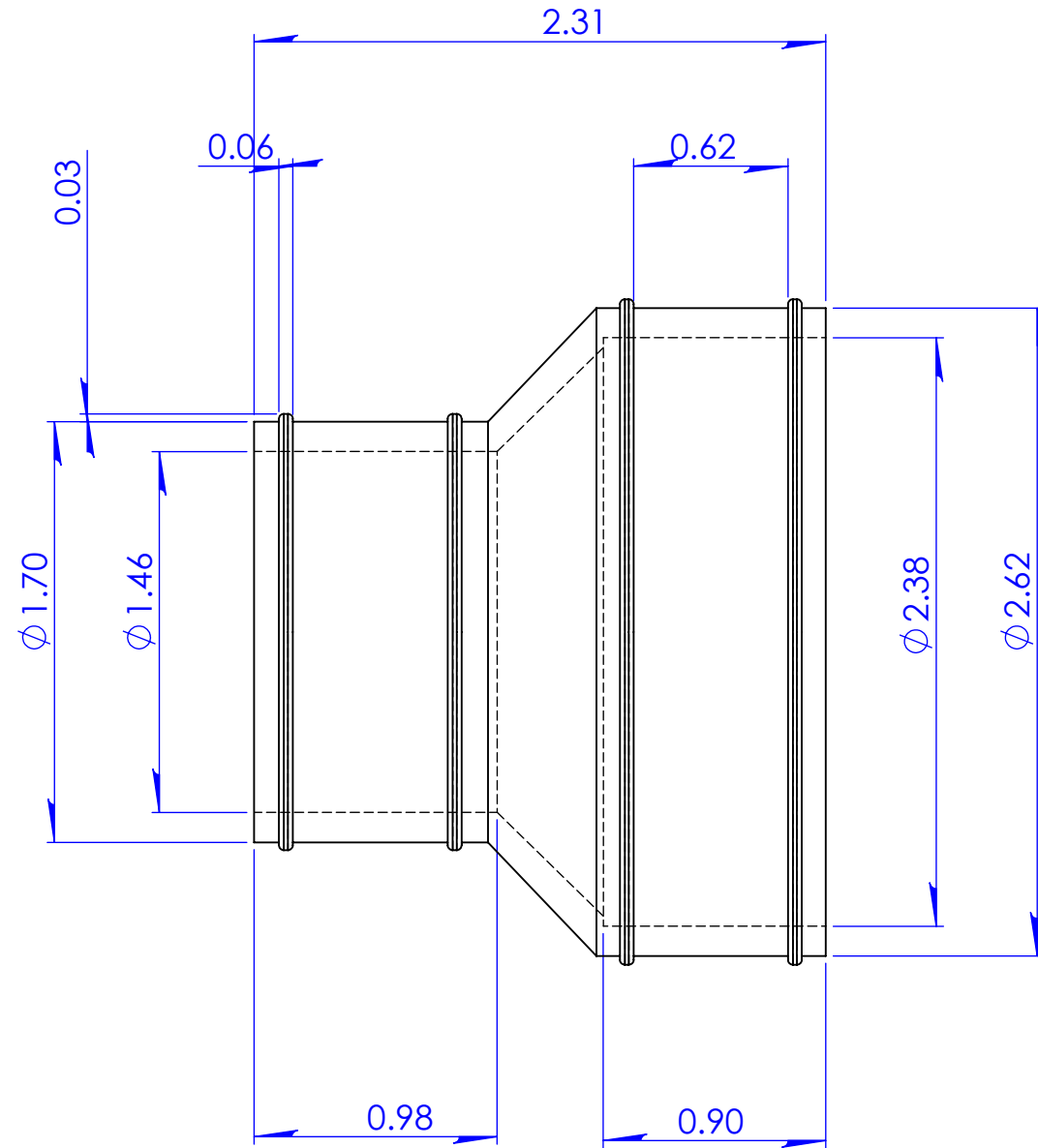




300 S. DAYTON ST.
 DAVISON, MI 48423
 PH: 810-653-9626
 FAX: 810-654-2616

DTC-215

DESCRIPTION:
 Coupling 2" Cast Iron, Plastic, Steel x 1 1/2 or 1 1/4"
 Tubular



This part uses two clamps, part numbers 024-200 and 038-200. Please see additional drawings for information on these clamps.

PROPRIETARY AND CONFIDENTIAL
 THE INFORMATION CONTAINED IN THIS
 DRAWING IS THE SOLE PROPERTY OF
 FERNCO, INC. ANY REPRODUCTION IN
 PART OR AS A WHOLE WITHOUT THE
 WRITTEN PERMISSION OF FERNCO, INC.
 IS PROHIBITED.

TOLERANCES:
 .X= Fractional \pm
 .XX= $\pm .06$
 ANG.= $\pm 3^\circ$
 UNLESS OTHERWISE SPECIFIED

| | | | | | | | |
|-----------------|---------------------------------|---------------------|------------|----------------------|----------|-----------|--------------|
| Part Weight | 0.24 lbs. | Installation Torque | 60" Lbs. | UNITS: | SIZE: | DESIGNER: | SCALE: |
| Min/Max Temp. | -30/140 Degrees F | Conforms to ASTM | D5926 | INCHES | A | D. Brady | not to scale |
| Pressure Tested | 4.3 PSI | Clamps used | 300 Series | 3RD ANGLE PROJECTION | | CHECKER: | DATE: |
| Material | Flexible PVC 60 Duro Shore A | Box Quantity | 20 | DO NOT SCALE DRAWING | | | 5/12/2011 |
| | | | | | | | SHEET 1 OF 1 |