

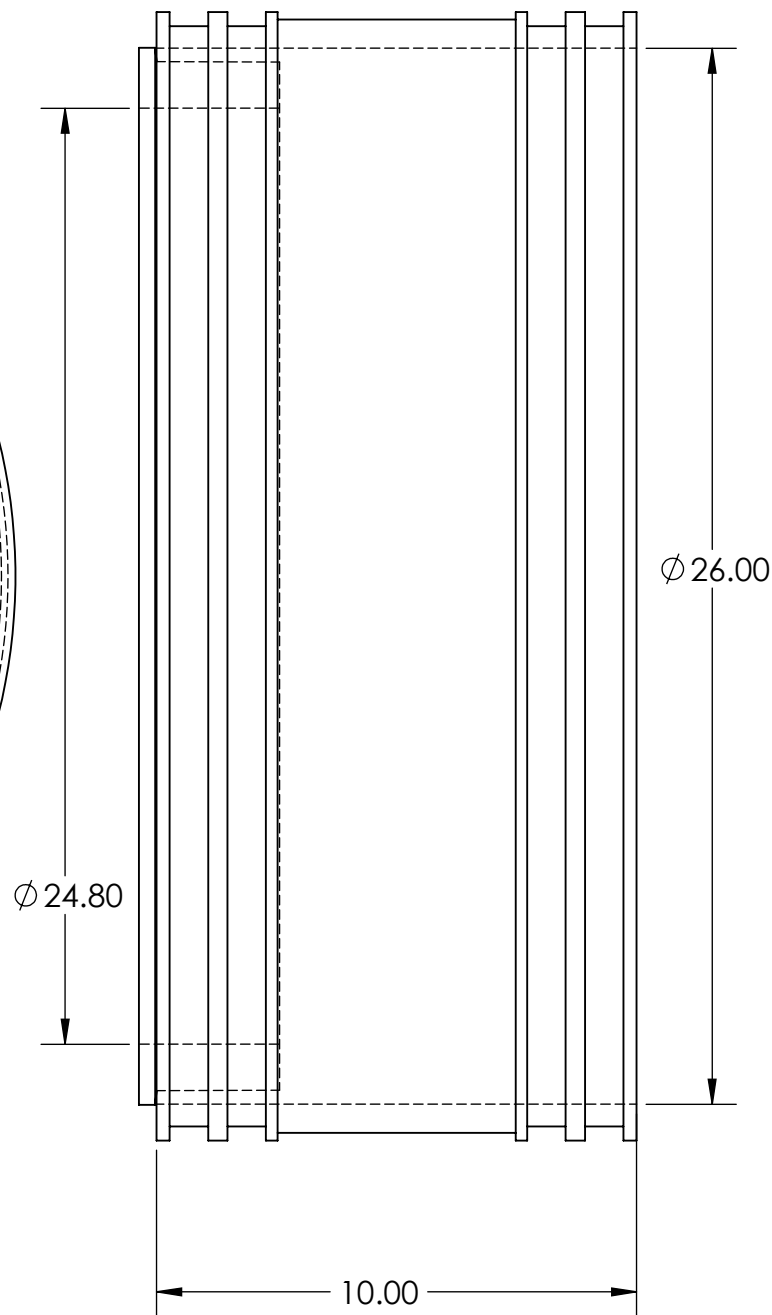
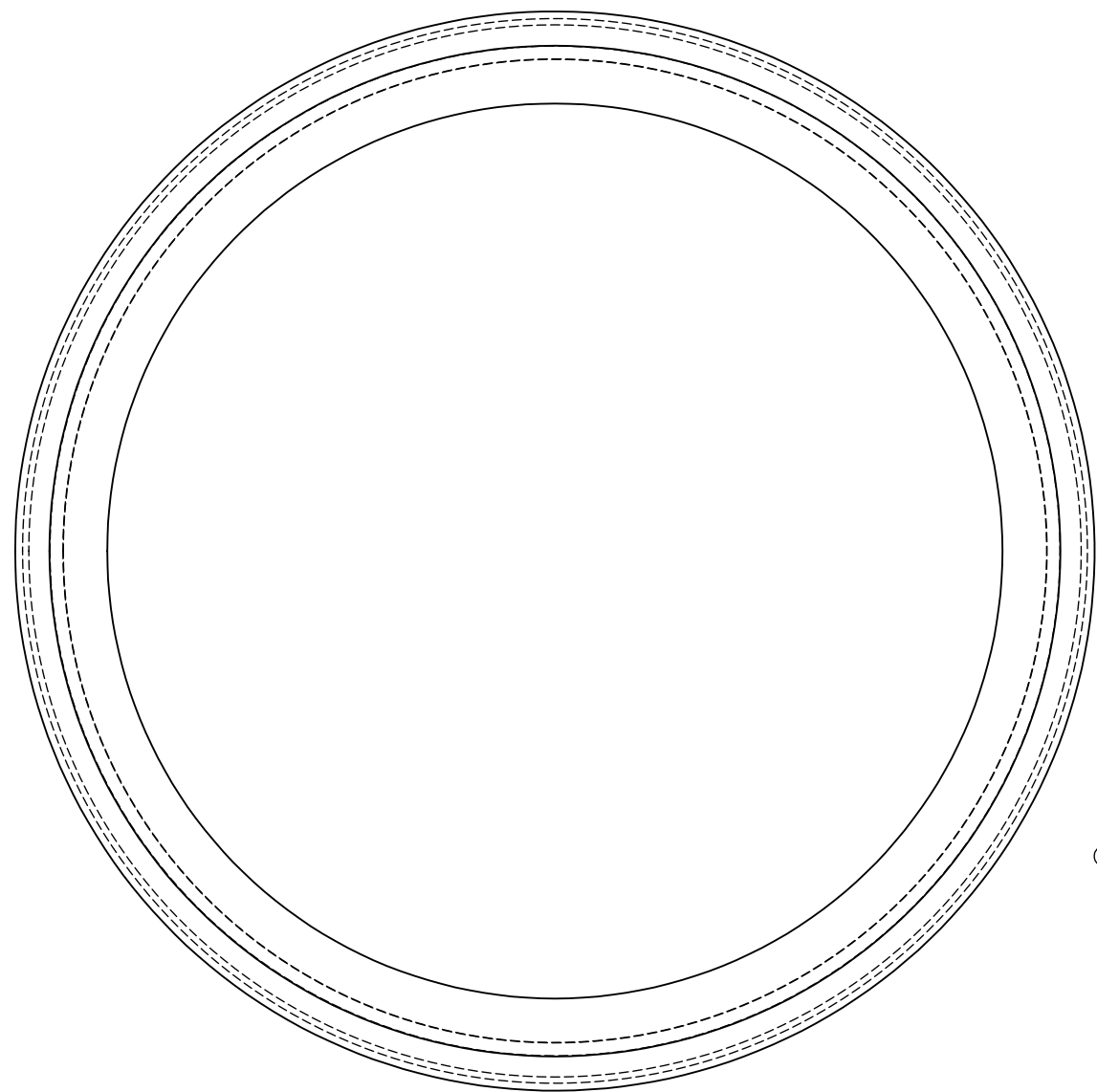


300 S. DAYTON ST.
 DAVISON, MI 48423
 PH: 810-653-9626
 FAX: 810-654-2616

1073-2424

DESCRIPTION:

24" Ultra Rib to 24" DI



Supplied with:
 Stainless Steel HT Clamps
 Stainless Steel .012 x 4.75 Shield

PROPRIETARY AND CONFIDENTIAL
 THE INFORMATION CONTAINED IN THIS
 DRAWING IS THE SOLE PROPERTY OF
 FERNCO, INC. ANY REPRODUCTION IN
 PART OR AS A WHOLE WITHOUT THE
 WRITTEN PERMISSION OF FERNCO, INC.
 IS PROHIBITED.

TOLERANCES:
 Fractional \pm xxx"
 .XX = \pm .xxx
 ANG. = \pm x°
 UNLESS OTHERWISE SPECIFIED

<i>Part Weight</i>		<i>Installation Torque</i>	60" Lbs.
<i>Min\Max Temp.</i>	-30/140 Degrees F	<i>Conforms to ASTM</i>	D5926, C1173
<i>Pressure Tested</i>	4.3 PSI	<i>Clamps used</i>	300 Series Stainless
<i>Material</i>	Flexible PVC 60 Duro Shore A		

UNITS: INCHES
 SIZE: **A**
 3RD ANGLE PROJECTION
 DO NOT SCALE DRAWING

DESIGNER: T. Dipzinski

CHECKER:
 DATE: 1/14/2015

SCALE: not to scale

SHEET 1 OF 1