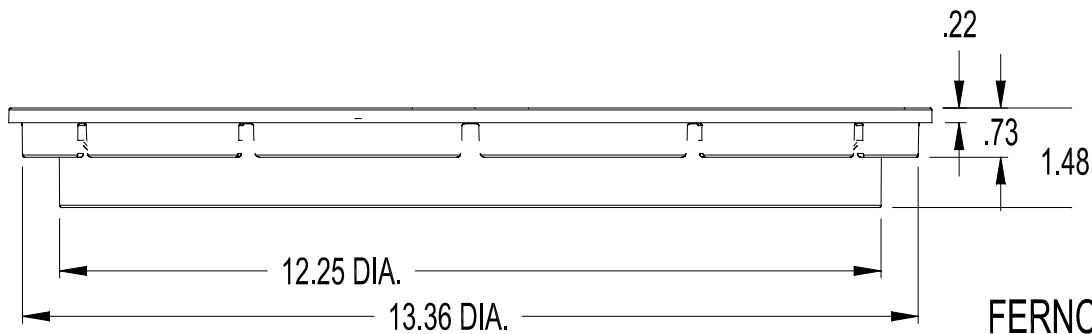
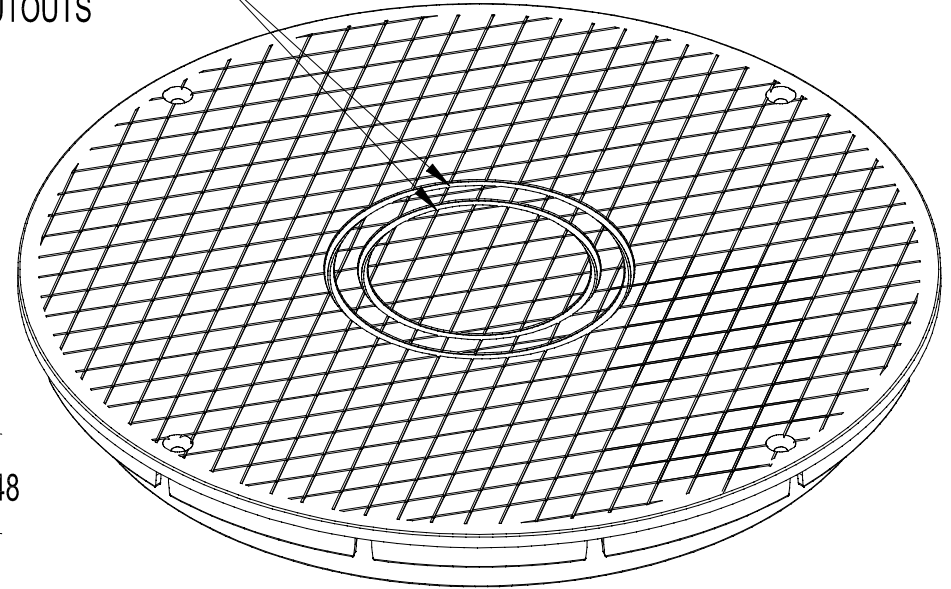


3" & 4" INSPECTION  
PORT CUTOUTS



FERNCO 12" COVER  
PART NO. FSD-3017-CB  
MATERIAL - HDPE  
COLOR - GREEN