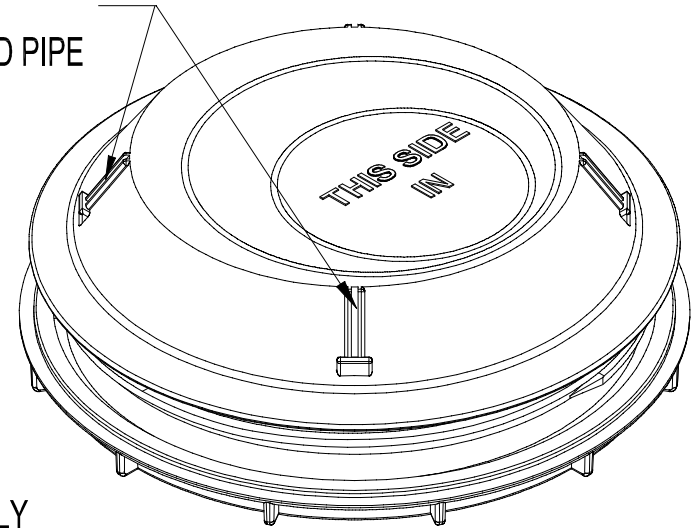
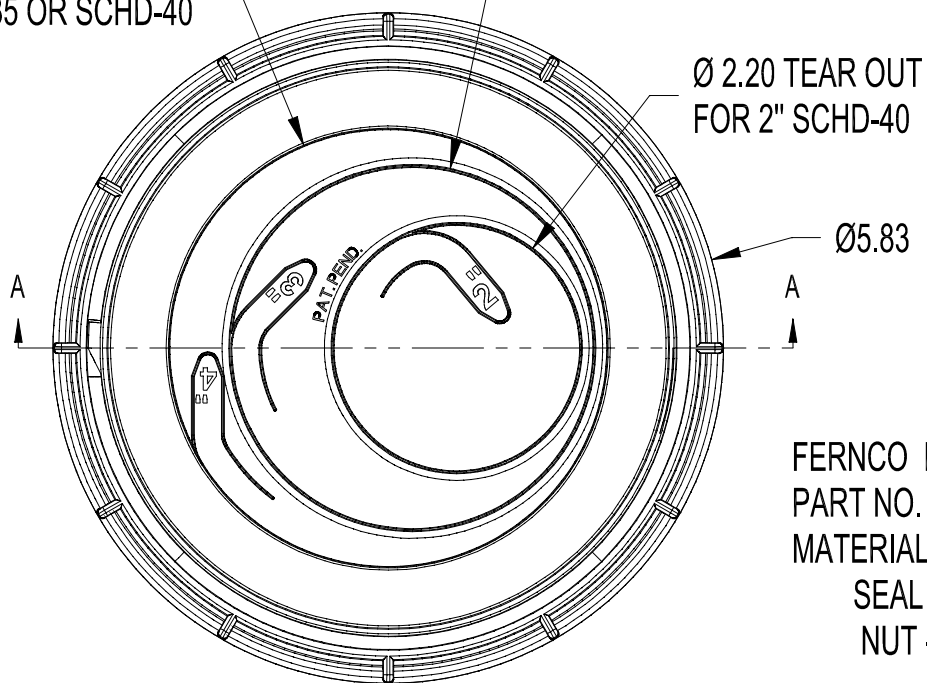


Ø3.90 TEAR OUT FOR
4" SDR-35 OR SCHD-40

Ø 3.20 TEAR OUT FOR
3" SDR-35 OR SCHD-40

Ø 2.20 TEAR OUT FOR
2" SCHD-40

CUT AT NOTCHES
FOR 4' CORRUGATED PIPE



FERNCO D-BOX SEAL ASSEMBLY
PART NO. - FSD-3001
MATERIAL :
SEAL - LLDPE
NUT - PP