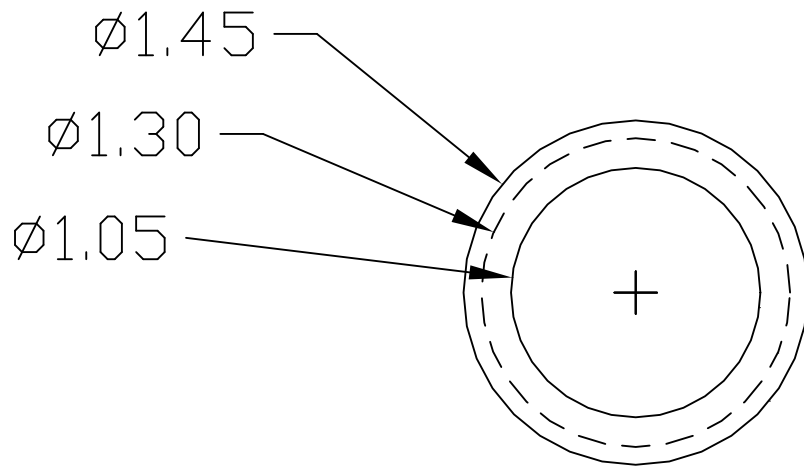
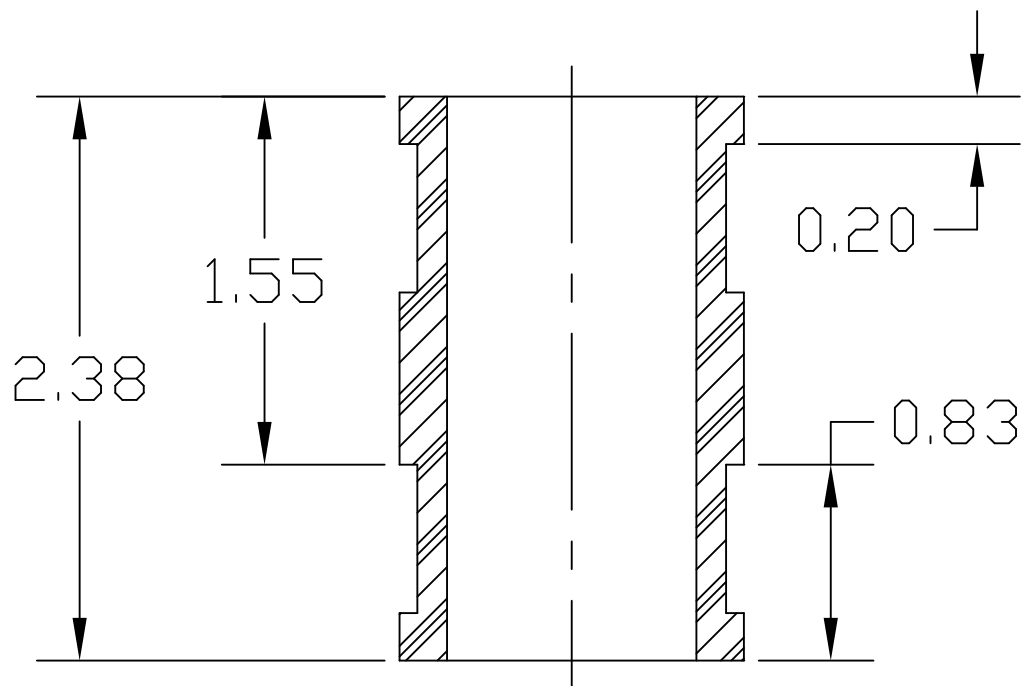


REVISIONS				
ZONE	REV	DESCRIPTION	DATE	APPROVED



Notes

1. Gasket Material: Black Plasticized PVC
65 Shore "A" Durometer Hardness
Conforming to ASTM D 5926
2. Clamps: 300 Series Stainless Steel,
2 pcs. Part# 016-300
3. Connections: 3/4" CTS, 3/4" SCH 40 PVC,
3/4" Condensate Line, or 1" CTS



UNLESS OTHERWISE SPECIFIED:
DIMENSIONS ARE IN INCHES
TOLERANCES

DECIMALS	ANGULAR
.XX ± .06	± 0.5°
.XXX ± .032	
DO NOT SCALE DRAWING	



3/4" Condensate Line Connector

SIZE	FSCM NO.	DWG NO.	REV
A		1056-075	

DRAWN	DATE
AJD	08 Jul 02
CHECKED	